



THE BP-MF690 SERIES

Operating and Service Manual

Series includes all variants of BP-MF690-15

Issue C
May 2020



TABLE OF CONTENTS

1. Description	3
2. Installation	3
3. Operation	5
4. Special Conditions for Safe Use	5
5. Hazardous Location Usage	5
6. Servicing and Maintenance.....	6
6.1. Servicing the BP-MF690-15.....	7
6.1.1. Accessing the Main Valve Assembly	7
6.1.2. Reassembly	7
6.1.3. Figure 1 – Sectional View of the BP-MF690-15	9
6.1.4. Servicing the BP-MF690-15 – with Sacrificial Plug Feature	10
7. Technical Data.....	11
8. Warranty Statement	11

1. Description

The BP-MF690-15 is a piston sensed Back Pressure Regulator which can be used as a precision relief valve to maintain a constant set pressure within gas or hydraulic systems. The regulator incorporates an 8mm diameter seat and provides a Cv capacity of 1.5 for 'medium flow' rate applications. This accurate regulator controls inlet pressures of up to 414 bar and vents excess pressure back via the outlet connection port. The control on the regulator is set via compression of an adjustable spring.

The hydraulic option (BP-MF690H-15) incorporates ceramic seating for ultimate protection against cavitation and erosion on aggressive application media such as water glycol and methanol. Softer seat materials are available for gas applications (BP-MF690G-15).

2. Installation

Before system start-up, it is recommended that all systems be pressure tested, leak tested and purged with an inert gas such as nitrogen.

Check the model number reference to ensure that the pressure range complies with the installation requirements.

Visually inspect the regulator for any signs of damage or contamination. If any foreign materials are present and cannot be removed from the regulator, or if the threads on the regulator appear to be damaged, please contact the office immediately to arrange for the regulator to be returned for service.

The Inlet and Outlet ports are clearly marked. Select the correct size and type of connection fittings for these ports which are indicated in the regulators part number. Both British Standard Pipe (BSPP) 'B' and National Pipe Thread (NPT) 'N' options are available on this regulator. Use the correct dowty or bonded seal for BSPP connections, self centering seals are recommended. For NPT threads, ensure that PTFE tape is applied correctly to the fittings, applying two overlapping layers in the direction of the thread, taking care that the tape does not come into contact with the first thread.

For BP-MF690-15 regulators supplied with Flange Connections, ensure that the following actions are carried out, prior to *use*:

- a. Select the correct size flange, for the related regulator, which are indicated in the regulators part number. Gasket and Bolts to be selected in accordance with the relevant flange specification standards
- b. The flange and gasket mating faces are free from any damage, which may prevent the proper sealing of the gasket.
- c. The bolt holes are aligned, and that the gasket is sat in a central position before mating the two flanges together.
- d. Insert the bolts through the bolt holes and screw the nuts on finger tight, until all the bolt holes have been fitted.

- e. Tighten the bolts/nuts alternately and evenly so that the flange(s) face remains parallel. All bolts/nuts must be tightened to the flange bolts specific torqued value, In accordance with the relevant flange specification standards.

The media supplied to the regulator must be clean. Contamination can damage the seat which may cause the regulator to fail. Filtration suited to the application is recommended upstream of the regulator.

Should further assistance or information be required in relation to installation of any Pressure Tech regulator please contact the office, giving reference to the regulators part number and/or serial number.

3. Operation

Adjusting the loading spring sets the controlled inlet pressure to the regulator. Pressure exceeding this set value allows the main valve to open and vent off the excess pressure through the seat orifice - until the inlet pressure is equivalent to the loading force set by spring against the pressure sensing element, at which point the Main Valve closes the flow through the seat. Compressing the spring increases the pressure at which the regulator will relieve excess pressure.

The BP-MF690-15 series may be offered with pressure limiting, pressure locking or pre-set pressure options:

Pressure limited regulators are fitted with locknuts on the adjusting mechanism in order to limit the maximum allowable control pressure. Regulators fitted with pressure limiting locknuts will state the limited pressure on the regulator label and this will also be indicated in the part number.

Pressure locking regulators are fitted with a locking cap which may be set (when specified) to pre-determined requirements. It is secured in place by three M5 grub screws which lock against the bonnet of the regulator creating an anti-tamper device to ensure the pressure cannot be adjusted accidentally.

Pre-set pressure regulators are adjusted (factory set) to specified customer requirements within a given pressure range.

Both pressure locking and pre-set pressure regulators will be fully adjustable through a given pressure range and the maximum allowable working pressures will be indicated on the regulator label and in the part number.

*Note - A table is available on request defining allowable tolerances for set points within a given pressure range.

4. Special Conditions for Safe Use

The BP-MF690-15 is classed as a Pressure Accessory and not a Safety Accessory under the European Directive 97/23/EC, and as such, should be installed with a relief valve to protect the user's system from over pressurisation.

5. Hazardous Location Usage

This equipment has not been manufactured specifically for use in potentially explosive atmospheres and as such an ignition hazard assessment has not been carried out on this product. If the user should wish to use this product in such an environment where there may be a potentially explosive atmosphere then it is the responsibility of the user to conduct an ignition hazard assessment against 99/92/EC.

6. Servicing and Maintenance

Servicing and maintenance work on the BP-MF690-15 regulators should only be performed after fully reading and understanding the Operating and Servicing Manual. Due to the compressibility of gases, the operator should not endanger themselves or others by working on this regulator without prior knowledge of the Health and Safety risks relating to handling of technical gases. Any uncertainty should be clarified with Pressure Tech before working on the regulator.

Pressure Tech Ltd recommends the use of the following Lubricants/Adhesives during servicing:

- **Krytox GPL 205 lubricant:** For the O-rings.
- **Molykote 1000 paste:** For the adjusting screw.

Prior to commencing service, please ensure that:

- The equipment has been de-pressurised
- The load spring has been de-compressed by turning the adjusting mechanism fully anti-clockwise
- Applications involving toxic, flammable or corrosive media have been fully purged and decontaminated sufficiently for safe service.

To ensure the best possible results from servicing, when re-assembling the regulator and any assemblies within it, ensure that all areas of the components and the regulator body are cleaned and free from contaminants which may result in failure of the regulator.

6.1. Servicing the BP-MF690-15

*Note: fig 1 should be used as a reference for the following set of instructions

6.1.1. Accessing the Main Valve Assembly

To access the Main Valve Assembly (MVA):

- i. Remove the securing grub screw (11) from the regulator body (19).
- ii. Unscrew the pan screw (1) and remove the name plate (2) from the hand wheel (4).
- iii. Unscrew the locknut (3) and remove the hand wheel (4) from the adjusting screw (8).
- iv. With the regulator secured up-right in a vice, remove the bonnet (10) by using a torque wrench or equivalent with 47mm open end.
- v. Un-screw and lift the top works from the assembly, inclusive of the bonnet (10), load spring (9) and adjusting mechanism (5, 6, 7 and 8).
- vi. The sensor assembly (12, 13, 14, 15 and 16) can be removed from the body by using pliers.
- vii. Secure the spring rest (12) in a vice (with the main valve (16) pointing upwards) and using an 18mm open ended spanner or adjustable, loosen from the sensor (13) but do not remove completely.
- viii. Take the sensor assembly from the vice and with the main valve (16) pointing downwards, remove the spring rest (12) from the assembly.
- ix. Inspect and replace the 'O' ring (20) from around the spring rest (12) as required.
- x. The main valve (16) and valve spring (15) can now be removed from the sensor (13).
- xi. Remove the sensor (13) from the sensor holder (14) and inspect and replace the 'O' rings (21, 22, 23 and 24) as required.
- xii. Inspect the main valve (16) for any defects or damage to the sealing edge and replace as required.
- xiii. Using a 22mm socket, remove the seat retainer (17) from the regulator body (19) and remove the seat (18) and 'O' ring (25).
- xiv. Inspect and replace the seat (18) and 'O' ring (25) as required.

6.1.2. Reassembly

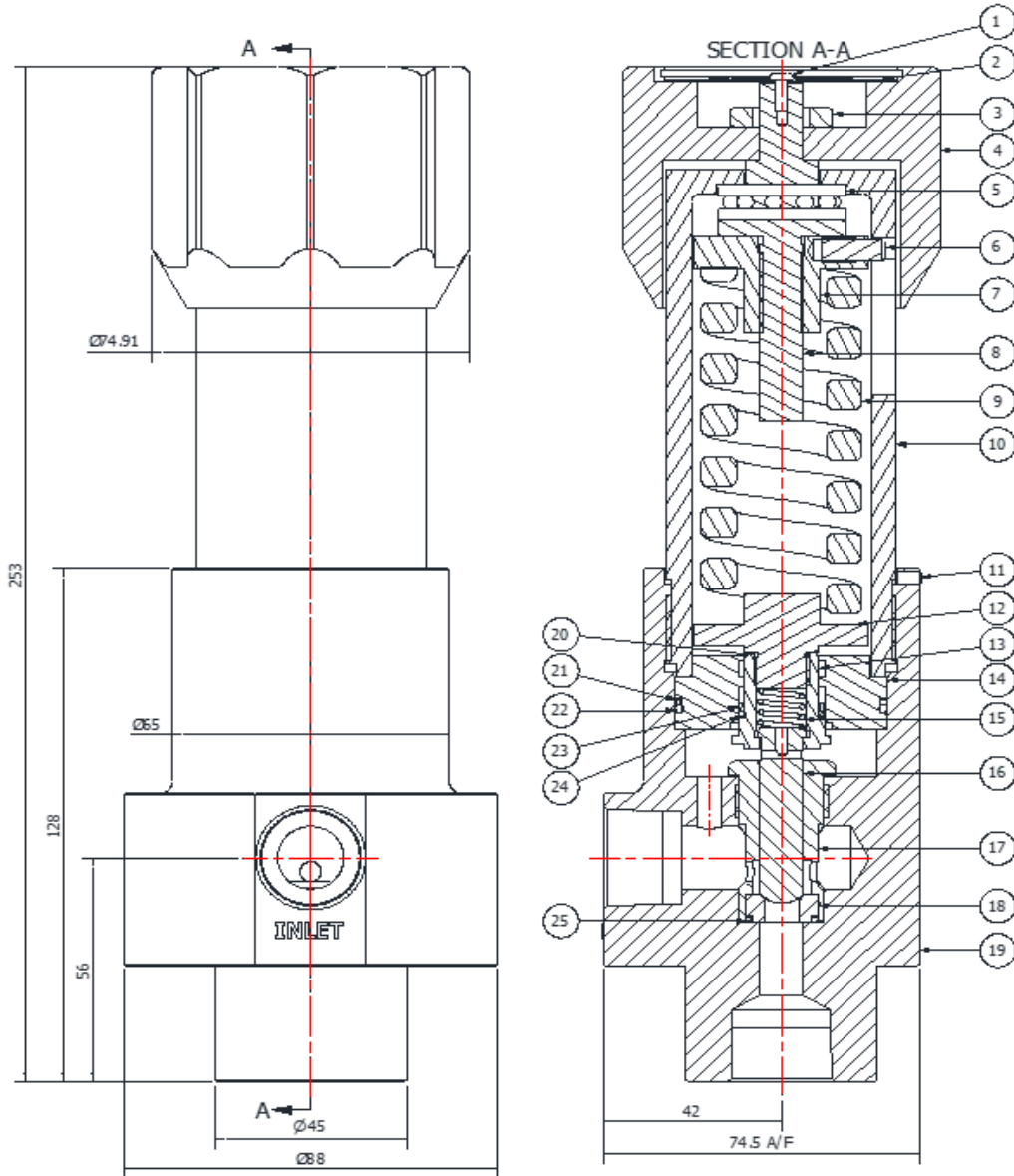
- i. To reassemble, place the seat (18) into the seat retainer (17) with the 'O' ring groove facing outwards.
- ii. Place the 'O' ring (25) into the groove on the seat (18).
- iii. Holding the regulator body (19) upside down, position the seat retainer (17) into the body and screw in 'finger tight'.
- iv. Upright the body of the regulator (19) and use a 22mm socket to secure the seat retainer (17) in place.
- v. After fitting the 'O' rings (21, 22, 23 and 24), place the sensor (13) into the sensor holder (14).

- vi. Locate the main valve (16) into the sensor (13) and then position the main valve spring (15) on to the valve.
- vii. Screw the spring rest (12) into the sensor (13).
- viii. Secure the spring rest (12) in a vice and tighten the sensor (13) using an 18mm open ended spanner or adjustable.
- ix. With the sensor assembly complete, place into the regulator body (19) ensuring that the main valve (16) locates into the seat retainer (17).
- x. Place the load spring (9) onto the spring rest and locate the adjusting mechanism (5, 6, 7 and 8) onto the load spring and screw the bonnet (10) onto the body (19).
- xi. Using a 47mm torque wrench, tighten the bonnet to approximately 90 – 100 Nm and fit the M3 grub screw (11) to secure the bonnet (10).
- xii. Place the hand wheel (4) onto the adjusting screw (8) and screw and tighten the lock nut (3).
- xiii. Secure the nameplate (2) with the M3 pan screw (1).

To ensure that the main valve assembly has been correctly and effectively installed it may be required to perform the appropriate seat leak test as per ANSI/FCI 70-2.

6.1.3. Figure 1 – Sectional View of the BP-MF690-15

* ALL DIMENSIONS IN MILLIMETERS, UNLESS OTHERWISE STATED.



PARTS LIST		
ITEM	PART NUMBER	DESCRIPTION
1	FIT-M3-08-A4-70.0-SKT-BTN	M3 x 8 SOCKET BUTTON
2	PT-C-049	NAMEPLATE
3	PT-C-132	LOCKNUT
4	PT-C-048-001	HANDWHEEL
5	BEAR-51103SS	SS BALL BEARING
6	PT-C-046	SET SCREW
7	PT-C-045	ADJUSTING NUT
8	PT-C-043-004	ADJUSTING SCREW
9	SPR-G40-001	LOAD SPRING
10	PT-C-040-001	BONNET
11	FIT-M3x6MM-SS-316-GRUBSCREW	M3 x 6 GRUB SCREW
12	PT-BP-690-008	BOTTOM SPRING REST
13	PT-BP-690-007	11/16" (17MM) SENSOR
14	PT-C-111	SENSOR HOLDER 11/16" (17MM)
15	PT-C-690-006	VALVE SPRING
16	PT-C-690-005-001	MAIN VALVE
17	PT-C-690-003	SEAT NUT
18	PT-C-690-004-005	SEAT CV 1.5 CERAMIC
19	PT-BP-MF-690-Z-06N	BODY 'Z' PORTING
20	OR-0110-10	O'RING STD
21	PT-C-115	BACK UP RING
22	OR-0460-20	O'RING STD
23	PT-C-114	BACK UP RING
24	OR-0171-16	O'RING STD
25	OT-0140-15	O'RING STD

6.1.4. Servicing the BP-MF690-15 – with Sacrificial Plug Feature

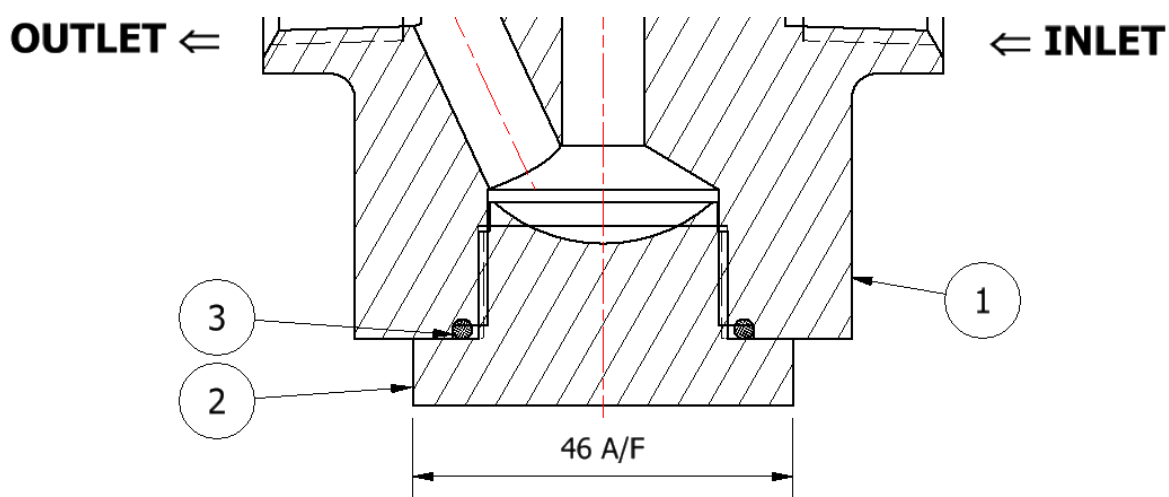
The BP-MF690-15 series is supplied with a Sacrificial Plug feature as standard on all other porting configurations, apart from the 'Z' porting option and is usually located at the base of the regulator body.

This feature allows the plug to be 'sacrificed' and easily replaced, to protect the regulator body from excessive erosion due to the combination of high pressure/media exposure.

The Sacrificial Plug is not supplied as standard, within the related regulator Standard Repair Kits (SRK's) and would need to be requested as an additional item, when placing an order for a replacement. The related O-ring is included as standard within the SRK's (*see image below*).

To service the BP-MF690-15 series, with Sacrificial plug:

- i. With the flats of the regulator body (1) secured in a vice*, Unscrew the sacrificial plug (2) from the Body (1), using
 *NOTE: Soft vice jaws must be used, when securing the body within the vice against flats. Due to the position of the flats it may be necessary to angle the body in the vice with the bottom nut upright for access.
- ii. Inspect the sacrificial plug (2) for any potential corrosion/damage and replace where necessary.
- iii. Remove and replace the 'O' ring (3) located on the sacrificial plug (2)
- iv. Screw the sacrificial plug (2) into the regulator body (1) and torque to 40Nm, using an open-ended adjustable wrench or 46mm socket.



ITEM	DESCRIPTION
1	BP-MF690 BODY - Cv 1.5
2	SACRIFICIAL PLUG
3	O' RING STD

7. Technical Data

Fluid Media:	All gases and liquids compatible with materials of construction
Max Inlet Pressure:	690 bar
Pressure Control Range:	5-414 bar
Operating Temperature:	-20°C to +80°C
Materials:	Body and Trim: 316 SS Seat Gas: PCTFE Seat Hydraulic: Ceramic Main Valve: 718 Alloy
Flow Capacity (Cv):	1.5
Leakage:	Hydraulic: Zero drops of water at max inlet Gas: Bubble tight

8. Warranty Statement

Pressure Tech Ltd guarantee all products correspond with their specification at the time of delivery and, with exception to wear and tear, wilful damage, negligence, and abnormal working conditions, will be free from defects for a period of 12 months from date of delivery.